

Technical data sheet

Device protection hood for wet-care floors, with VA lamination

Item number: 7408064



Dome lid for use in UDL2-80 underfloor outlet boxes and underfloor outlets for protected cable outlets in wet-cleaned floors for indoor use with rib-reinforced polyamide ring, covered by a V2A ring, and profiled rubber seal.



PA Polyamide

Master data

Item number	7408064
Type	SHF80 30M 9011
Description 1	Protective hood
Description 2	with metal ring
Manufacturer	OBO
Colour	Graphite black; RAL 9011
Material	Polyamide
Smallest sales unit	1
Unit of quantity	Piece
Weight	26.16 kg
Weight unit	kg/100 pc.
CO2 Footprint (GWP) Cradle-to-Gate	1,125 kg CO2e / 1 Piece

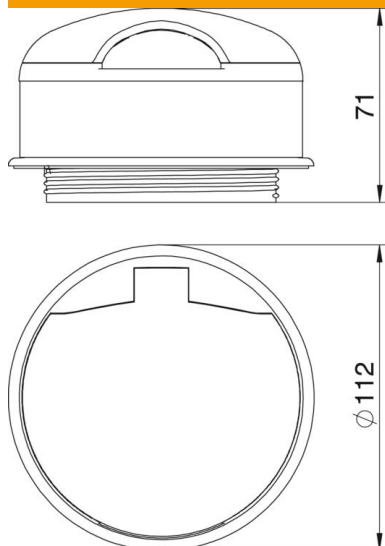
Technical data sheet

Device protection hood for wet-care floors, with VA lamination

Item number: 7408064



Dimensions



Technical data

Expansion option	For installation of accessories
Cover version	Round
Seal installation option	no
For pipe connection	no