

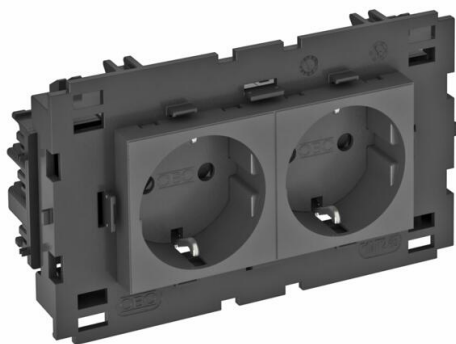
# Technical data sheet

Socket 0°, Connect 80, protective contact, double

Item number: 6120440



Protective contact socket with connection to side, double 0°, with increased touch protection, with screwless terminals, 2-pin, 16 A, 250 V~, with connection terminals to IEC 60884-1, suitable for the installation in Rapid 80 device installation trunking systems.  
For installation in Rapid 45 trunking, device installation trunking, service poles, underfloor systems and desk boxes.



PC Polycarbonate

## Master data

Item number	6120440
Type	STD-D0C8 SWGR2
Description 1	Socket 0°, double
Description 2	protective contact, Connect 80
Manufacturer	OBO
Dimension	250V, 10/16A
Colour	Black-grey; RAL 7021
Material	Polycarbonate
Smallest sales unit	1
Unit of quantity	Piece
Weight	13 kg
Weight unit	kg/100 pc.
CO2 Footprint (GWP) Cradle-to-Gate	0,6958 kg CO2e / 1 Piece

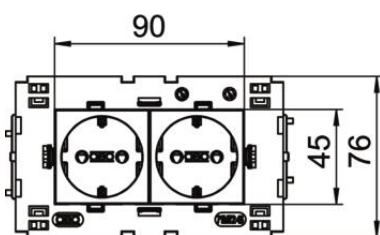
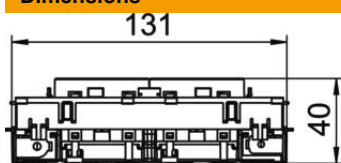
# Technical data sheet

Socket 0°, Connect 80, protective contact, double

Item number: 6120440



## Dimensions



Width	131 mm
Height	76 mm

## Technical data

Cover	Central plate
Closable	no
Connection type	Screwless terminal
Number of units	2
Number of modules (for modular construction)	0
Number of switchable sockets	0
Number of poles	2
Printed label/coding	Without printing
Version for	double 0°
Surface version	Matt
Version for	SCHUKO
Ejection mechanism	no
Fastening type	Lock
Labelling panel	no
Operating temperature, max.	40 °C
Operating temperature, min.	-5 °C
increased touch protection	yes
Error current protection	no
For more difficult conditions (according to VDE)	no
Power reserve	no
Halogen-free	yes
Insulated installation	no
Hinged cover	no
Coding	no
Warning light	no
With on/off switch	no
With fine-wire fuse	no
With functional lighting	no
With orientation lighting	no
Mounting type	Device installation duct
Nominal voltage	250 V
Nominal current	16 A

# Technical data sheet

Socket 0°, Connect 80, protective contact, double

Item number: 6120440



## Technical data

Protection rating	Other
Special power supply	Without special power supply
Socket version	Protective contact
Socket angle	0°
Depth	42 mm
Transparent	no
Rotated central insert	no
Surge protection	no