

Technical data sheet

33° socket, with earthing pin, single

Item number: 6120226



Socket with earthing pin Single 33°, with increased touch protection, with screwless terminals, 2-pin, 16 A, 250V ~, with connection terminals to IEC 60884-1.

For installation in Rapid 45 trunking, device installation trunking, service poles, underfloor systems and desk boxes.



PC Polycarbonate

Master data

Item number	6120226
Type	STD-F3 MZGN1
Description 1	Socket 33°, single
Description 2	with earth pin
Manufacturer	OBO
Dimension	250V, 10/16A
Colour	Mint green; RAL 6029
Material	Polycarbonate
Smallest sales unit	1
Unit of quantity	Piece
Weight	3.8 kg
Weight unit	kg/100 pc.
CO2 Footprint (GWP) Cradle-to-Gate	0,2032 kg CO2e / 1 Piece

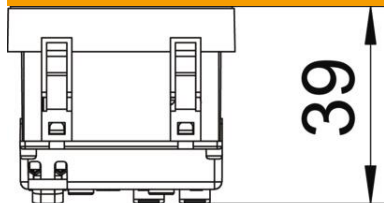
Technical data sheet

33° socket, with earthing pin, single

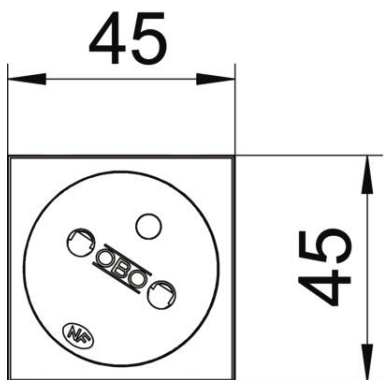
Item number: 6120226



Dimensions



Width	45 mm
Height	45 mm



Technical data

Cover	Central plate
Closable	no
Connection type	Screwless terminal
Number of units	1
Number of modules (for modular construction)	1
Number of switchable sockets	0
Number of poles	2
Printed label/coding	Without printing
Version for	Single 33°
Surface version	Matt
Version for	Protective contact pin
Ejection mechanism	no
Fastening type	Lock
Labelling panel	no
Operating temperature, max.	40 °C
Operating temperature, min.	-5 °C
increased touch protection	yes
Error current protection	no
For more difficult conditions (according to VDE)	no
Halogen-free	yes
Insulated installation	no

Technical data sheet

33° socket, with earthing pin, single

Item number: 6120226



Technical data

Hinged cover	no
Coding	no
Warning light	no
With on/off switch	no
With fine-wire fuse	no
With functional lighting	no
With orientation lighting	no
Mounting type	Device installation duct
Nominal voltage	250 V
Nominal current	16 A
Protection rating	Other
Special power supply	Without special power supply
Socket version	NF
Socket angle	33°
Depth	39 mm
Transparent	no
Rotated central insert	yes
Approvals	VDE
Surge protection	no