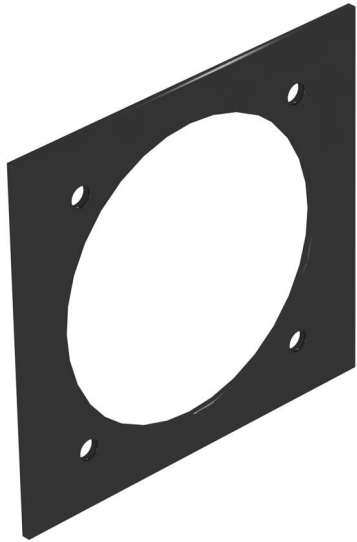


# Technical data sheet

Cover plate, Telitank T12L, installation opening for CEE device with 60 mm fastening track  
Item number: 7408204



Cover plate with 1 perforation (Ø 70 mm) and 60 x 60 mm screw fastening for CEE sockets, suitable for T12L lengthwise side (1/3 cover).



**PVC** Polyvinylchloride

## Master data

Item number	7408204
Type	T12L P7S 9011
Description 1	Cover plate
Description 2	CEE for T12L
Manufacturer	OBO
Dimension	94.5x88mm
Colour	Graphite black; RAL 9011
Material	Polyvinylchloride
Smallest sales unit	1
Unit of quantity	Piece
Weight	1.13 kg
Weight unit	kg/100 pc.
CO2 Footprint (GWP) Cradle-to-Gate	0,064 kg CO2e / 1 Piece

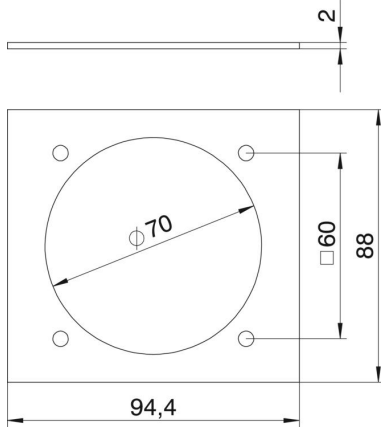
# Technical data sheet

Cover plate, Telitank T12L, installation opening for CEE device with 60 mm fastening track

Item number: 7408204



## Dimensions



Length	88 mm
Width	95 mm
Height	2 mm

## Technical data

Application	On-floor tank
Number of CEE/Perilex openings	1
Number of triple openings	0
Number of single openings	0
Number of oval openings	0
Number of square openings	0
Number of round openings	0
Number of double openings	0
Fastening type	Screw-on
Labelling panel	no
Blanking lid	no
Seal installation option	no
Suitable for labelling panel	no
Installation technology	CEE 60x60 mm