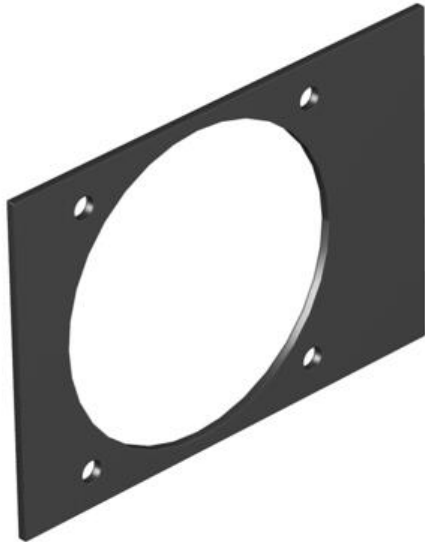


Technical data sheet

Cover plate, Telitank T4B, installation opening for CEE device with 60 mm fastening track
Item number: 7408260



Cover plate with 1 perforation (Ø 70 mm) and 60 x 60 mm screw fastening for CEE sockets, suitable for T4B lengthwise side (1/1 cover).



PVC Polyvinylchloride

Master data

Item number	7408260
Type	T4B P5S 9011
Description 1	Cover plate
Description 2	CEE for T4B
Manufacturer	OBO
Dimension	110x77mm
Colour	Graphite black; RAL 9011
Material	Polyvinylchloride
Smallest sales unit	1
Unit of quantity	Piece
Weight	1.15 kg
Weight unit	kg/100 pc.
CO2 Footprint (GWP) Cradle-to-Gate	0,0737 kg CO2e / 1 Piece

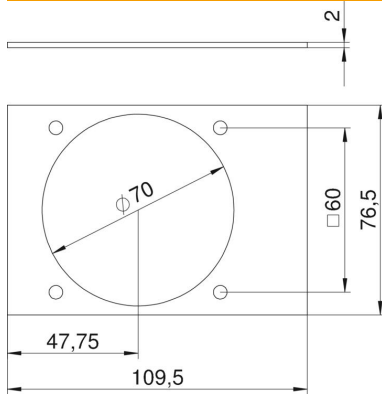
Technical data sheet

Cover plate, Telitank T4B, installation opening for CEE device with 60 mm fastening track

Item number: 7408260



Dimensions



Length	77 mm
Width	110 mm
Height	2 mm

Technical data

Application	On-floor tank
Number of CEE/Perilex openings	0
Number of triple openings	0
Number of single openings	1
Number of units	1
Number of oval openings	0
Number of square openings	0
Number of round openings	0
Number of double openings	0
Fastening type	Screw-on
Labelling panel	no
Blanking lid	no
Suitable for labelling panel	no
Device type	CEE
Installation technology	CEE 60x60 mm