

Technical data sheet

Screw-in beam clamp, universal



Item number: 1484702



Various fastening options (horizontal and vertical).



St	Steel
ZL	Zinc slat

Master data

Item number	1484702
Type	TK 213
Description 1	Carrier screw clamp
Manufacturer	OBO
Dimension	2-13mm
Material	Steel
Surface	Zinc slat
Surface standard	
Smallest sales unit	100
Unit of quantity	Piece
Weight	2.72 kg
Weight unit	kg/100 pc.

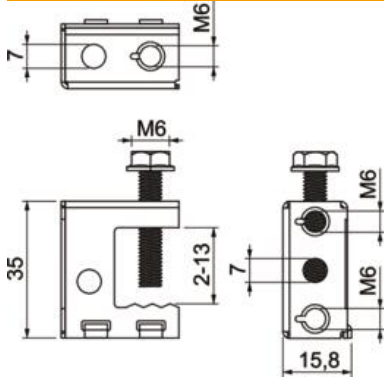
Technical data sheet

Screw-in beam clamp, universal

Item number: 1484702



Dimensions



Height	35 mm
Dimension B	15.8 mm
Dimension H	35 mm

Technical data

Connection type/component	Miscellaneous
Fastening type	Bolts
Fastening hole	6.5 mm
Breaking load	0.55 kN
Flange thickness F max.	13 mm
Flange thickness F min.	2 mm
Hinge, adjustable	no
Hinged	no