

Technical data sheet

TP wall and ceiling bracket A2

Item number: 6365995



TP wall and ceiling bracket with clamping lugs for screwless mesh cable tray fastening.

If the wall and ceiling bracket is fastened directly to the wall or ceiling, then, for reasons of stability, always use the spacer, type DS 4.

Max. side height of the cable support system 60 mm.



A2 Stainless steel

2B Bright, treated

Master data

Item number	6365995
Type	TPDG 345 A2
Description 1	Wall and ceiling bracket
Description 2	for mesh cable tray
Manufacturer	OBO
Dimension	B345mm
Colour	stainless steel
Material	Stainless steel 1.4301
Surface	Bright, treated
Surface standard	
Smallest sales unit	5
Unit of quantity	Piece
Weight	81 kg
Weight unit	kg/100 pc.
CO2 Footprint (GWP) Cradle-to-Gate	3,9078 kg CO2e / 1 Piece

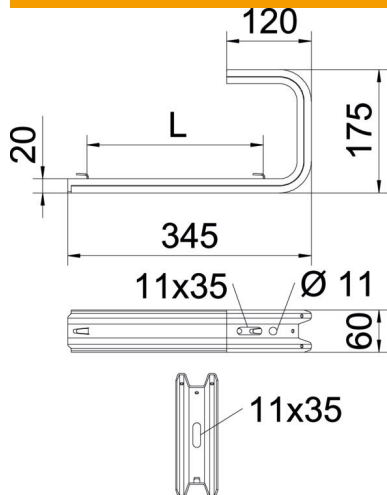
Technical data sheet

TP wall and ceiling bracket A2

Item number: 6365995



Dimensions

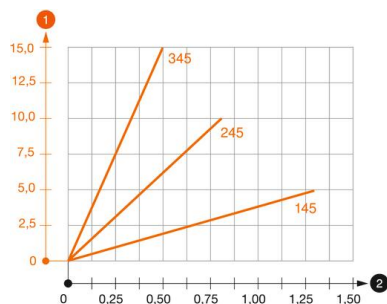


Length	175 mm
Width	345 mm
Height	60 mm
Dimension B	345 mm
Dimension H	175 mm
Dimension L	250 mm

Technical data

Version for	Suspension bracket (C clamp)
F in kN ceiling	0.5 kN
F in kN wall	0.55 kN
Maintain electrical functions	no
for width max.	300 mm
for width min.	300
Suitable for mesh cable tray	yes
Suitable for cable ladder	no
Suitable for cable tray	no
Suitable for tray/ladder width	300 mm

Loads



Load diagram, ceiling clamp TPDG

- 1 Bending of the bracket tip at permitted bracket load
- 2 Permitted bracket load in kN without man load
- Load curve with bracket lengths in mm

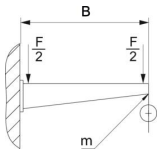
Technical data sheet

TP wall and ceiling bracket A2

Item number: 6365995



Characteristic anchor load values for TPDG wall and ceiling bracket



Wall fastening	Max. load [kN]
	Bracket length [mm]
Anchor type	<TEXT><P>145</P></TEXT>, <TEXT><P>245</P></TEXT>, <TEXT><P>345</P></TEXT>, <TEXT><P>445</P></TEXT>, <TEXT><P>545</P></TEXT>
BZ3 8x95/0-40	<TEXT><P>0.56</P></TEXT>, <TEXT><P>0.53</P></TEXT>, <TEXT><P>0.50</P></TEXT>, <TEXT><P>0.47</P></TEXT>, <TEXT><P>0.44</P></TEXT>
BZ3 10x90/0-30	<TEXT><P>1.03</P></TEXT>, <TEXT><P>0.96</P></TEXT>, <TEXT><P>0.68</P></TEXT>, <TEXT><P>0.54</P></TEXT>

Max. total load F = cable weight + cable tray + ceiling clamp. The load capacity values increase considerably when used in uncracked concrete. The values given are based on concrete of strength class C20/25.