

Technical data sheet

TP wall and ceiling bracket FS

Item number: 6363814



TP wall and ceiling bracket for universal use.
Important! If the wall and ceiling bracket is fixed directly to the wall or ceiling, then, for reasons of stability, always use the spacer, type DS 4.



- St** Steel
- FS** Strip galvanized

Master data

Item number	6363814
Type	TPD 245 FS
Description 1	Wall and ceiling bracket
Description 2	TP profile
Manufacturer	OBO
Dimension	B245mm
Colour	zinc
Material	Steel
Surface	Strip galvanized
Surface standard	DIN EN 10346
Smallest sales unit	1
Unit of quantity	Piece
Weight	66 kg
Weight unit	kg/100 pc.
CO2 Footprint (GWP) Cradle-to-Gate	1,5397 kg CO2e / 1 Piece

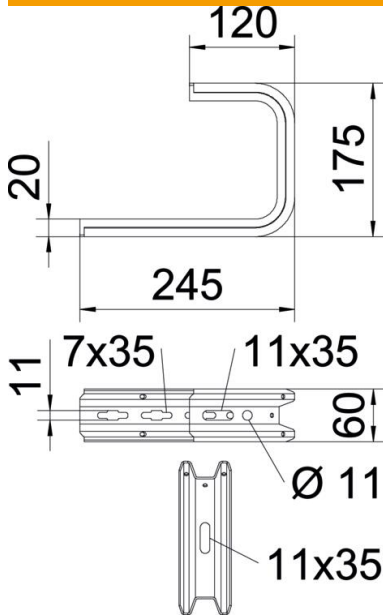
Technical data sheet

TP wall and ceiling bracket FS

Item number: 6363814



Dimensions

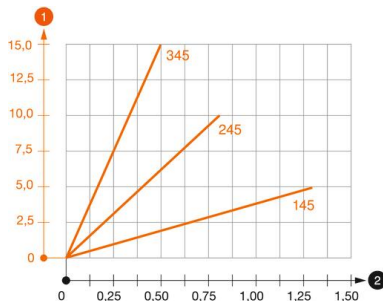


Length	245 mm
Width	245 mm
Height	60 mm
Dimension B	245 mm
Dimension H	175 mm

Technical data

Version for	Suspension bracket (C clamp)
F in kN ceiling	0.8 kN
F in kN wall	0.87 kN
Maintain electrical functions for width max.	no
for width min.	200 mm
Suitable for mesh cable tray	yes
Suitable for cable ladder	yes
Suitable for cable tray	yes
Suitable for tray/ladder width	200 mm
Adjustable	no

Loads



Load diagram, ceiling bracket TPD

- 1 Bending of the bracket tip at permitted bracket load
- 2 Permitted bracket load in kN without man load
- Load curve with bracket lengths in mm

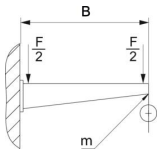
Technical data sheet

TP wall and ceiling bracket FS

Item number: 6363814



Characteristic anchor load values for TPD wall and ceiling bracket



Wall fastening	Max. load [kN]
	Bracket length [mm]
Anchor type	<TEXT><P>145</P></TEXT>, <TEXT><P>245</P></TEXT>, <TEXT><P>345</P></TEXT>, <TEXT><P>445</P></TEXT>, <TEXT><P>545</P></TEXT>
BZ3 8x95/0-40	<TEXT><P>0.56</P></TEXT>, <TEXT><P>0.53</P></TEXT>, <TEXT><P>0.50</P></TEXT>, <TEXT><P>0.47</P></TEXT>, <TEXT><P>0.44</P></TEXT>
BZ3 10x90/0-30	<TEXT><P>1.03</P></TEXT>, <TEXT><P>0.96</P></TEXT>, <TEXT><P>0.68</P></TEXT>, <TEXT><P>0.54</P></TEXT>

Max. total load F = cable weight + cable tray + ceiling bracket. The load capacity values increase considerably when used in uncracked concrete. The values given are based on concrete of strength class C20/25.