

# Technical data sheet

## TP support / wall and support bracket FS



Item number: 6366015



TP bracket with clamping lugs for screwless mesh cable tray fastening. If the bracket is fastened directly to the wall or the profiles are screwed together, then, for reasons of stability, always use the spacer, type DS 4. Mesh cable trays with a 50 x 100 mm grid width, e.g. type GRL, GR and GRM, can be fastened to the TP bracket without screws.



- St** Steel
- FS** Strip galvanized

### Master data

|                                    |                             |
|------------------------------------|-----------------------------|
| Item number                        | 6366015                     |
| Type                               | TPSAG 145 FS                |
| Description 1                      | TP wall and support bracket |
| Description 2                      | for mesh cable tray         |
| Manufacturer                       | OBO                         |
| Dimension                          | B145mm                      |
| Colour                             | zinc                        |
| Material                           | Steel                       |
| Surface                            | Strip galvanized            |
| Surface standard                   | DIN EN 10346                |
| Smallest sales unit                | 1                           |
| Unit of quantity                   | Piece                       |
| Weight                             | 30.54 kg                    |
| Weight unit                        | kg/100 pc.                  |
| CO2 Footprint (GWP) Cradle-to-Gate | 0,7629 kg CO2e / 1 Piece    |

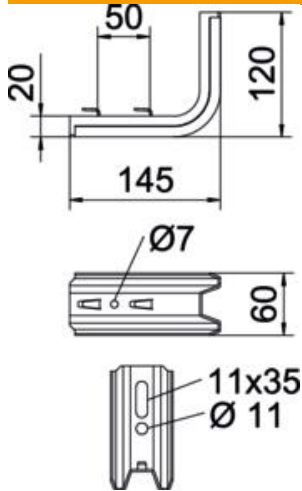
# Technical data sheet

## TP support / wall and support bracket FS



Item number: 6366015

### Dimensions

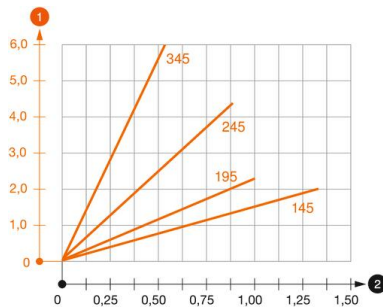


|             |        |
|-------------|--------|
| Length      | 145 mm |
| Width       | 60 mm  |
| Height      | 120 mm |
| Dimension B | 60 mm  |
| Dimension H | 120 mm |
| Dimension L | 145 mm |
| Dimension W | 50 mm  |

### Technical data

|                               |                          |
|-------------------------------|--------------------------|
| Version for                   | Wall and support bracket |
| F in kN                       | 1.5 kN                   |
| Maintain electrical functions | no                       |
| for width max.                | 100 mm                   |
| for width min.                | 100                      |
| Rustproof steel, pickled      | no                       |

### Loads



#### Load diagram, bracket, type TPSAG

- 1 Bending of the bracket tip at permitted bracket load
- 2 Permitted bracket load in kN without man load
- 2 Support width in m

# Technical data sheet

## TP support / wall and support bracket FS

Item number: 6366015



### Characteristic anchor load values for TP bracket

|                |   |
|----------------|---|
| Wall fastening | Max. load [kN]  |
|                | Bracket width [mm]  |
| Anchor type    | <TEXT><P>145</P></TEXT>, <TEXT><P>195</P></TEXT>, <TEXT><P>245</P></TEXT>, <TEXT><P>345</P></TEXT>    |
| BZ3 10x90/0-30 | <TEXT><P>1.3</P></TEXT>, <TEXT><P>0.93</P></TEXT>, <TEXT><P>0.60</P></TEXT>, <TEXT><P>0.55</P></TEXT> |

The load capacity values increase considerably when used in uncracked concrete. The stated values are based on cracked concrete of compressive strength C20/25. Please comply with the installation conditions of ETA(anchors).