

# Technical data sheet

## TP support / wall and support bracket FS

Item number: 6364101



TP support/bracket for fastening to horizontal concrete ceilings and walls.  
If the profile is fastened directly to the ceiling or the profile is screwed together as head reinforcement, then, for reasons of stability, always use the spacer, type DS 4.



- St** Steel
- FS** Strip galvanized

### Master data

|                                    |                             |
|------------------------------------|-----------------------------|
| Item number                        | 6364101                     |
| Type                               | TPSA 145 FS                 |
| Description 1                      | TP wall and support bracket |
| Description 2                      | use as support and bracket  |
| Manufacturer                       | OBO                         |
| Dimension                          | B145mm                      |
| Colour                             | zinc                        |
| Material                           | Steel                       |
| Surface                            | Strip galvanized            |
| Surface standard                   | DIN EN 10346                |
| Smallest sales unit                | 1                           |
| Unit of quantity                   | Piece                       |
| Weight                             | 32.3 kg                     |
| Weight unit                        | kg/100 pc.                  |
| CO2 Footprint (GWP) Cradle-to-Gate | 0,7642 kg CO2e / 1 Piece    |

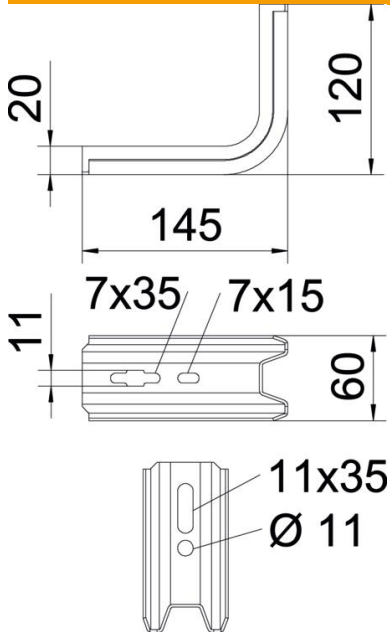
# Technical data sheet

## TP support / wall and support bracket FS

Item number: 6364101



### Dimensions

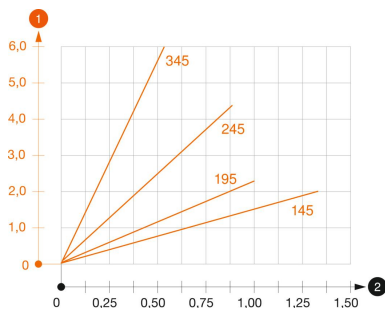


|             |        |
|-------------|--------|
| Length      | 145 mm |
| Width       | 60 mm  |
| Height      | 120 mm |
| Dimension B | 60 mm  |
| Dimension H | 120 mm |
| Dimension L | 145 mm |

### Technical data

|                               |                          |
|-------------------------------|--------------------------|
| Version for                   | Wall and support bracket |
| F in kN                       | 1.5 kN                   |
| Maintain electrical functions | no                       |
| for width max.                | 100 mm                   |
| for width min.                | 100                      |
| Rustproof steel, pickled      | no                       |

### Loads



#### Load diagram, bracket, type TPSA

- 1 Bending of the bracket tip at permitted bracket load
- 2 Permitted bracket load in kN without man load
- Load curve with bracket lengths in mm

# Technical data sheet

## TP support / wall and support bracket FS

Item number: 6364101



### Characteristic anchor load values for TP bracket

|                |   |
|----------------|---|
| Wall fastening | Max. load [kN]  |
|                | Bracket width [mm]  |
| Anchor type    | <TEXT><P>145</P></TEXT>, <TEXT><P>195</P></TEXT>, <TEXT><P>245</P></TEXT>, <TEXT><P>345</P></TEXT>    |
| BZ3 10x90/0-30 | <TEXT><P>1.3</P></TEXT>, <TEXT><P>0.93</P></TEXT>, <TEXT><P>0.60</P></TEXT>, <TEXT><P>0.55</P></TEXT> |

Max. Belastung Fges. = Kabelgewicht + Kabelrinne + Ausleger. Die angegebenen Werte basieren auf ungerissenem Beton der Festigkeitsklasse C20/25. Die Einbaubedingungen der DIBt-Zulassung (Dübel) sind zu beachten!