

Technical data sheet

TP support A2

Item number: 6364848



TP support for fastening to horizontal concrete ceilings.
If the profile is fastened directly to the ceiling or the profile is screwed together as head reinforcement, then, for reasons of stability, always use the spacer, type DS 4.
Important: only use brackets of length 345 mm or less.



A2 Stainless steel

2B Bright, treated

Master data

Item number	6364848
Type	TPS 445 A2
Description 1	TP suspended support
Manufacturer	OBO
Dimension	L445mm
Colour	stainless steel
Material	Stainless steel 1.4301
Surface	Bright, treated
Surface standard	
Smallest sales unit	1
Unit of quantity	Piece
Weight	72 kg
Weight unit	kg/100 pc.
CO2 Footprint (GWP) Cradle-to-Gate	3,6238 kg CO2e / 1 Piece

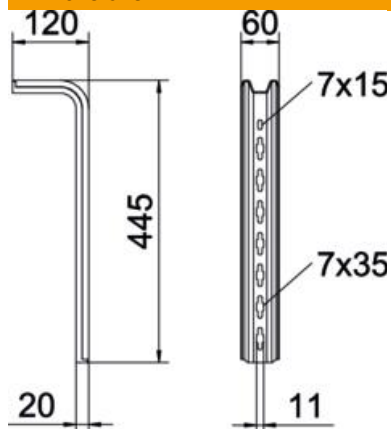
Technical data sheet

TP support A2

Item number: 6364848



Dimensions

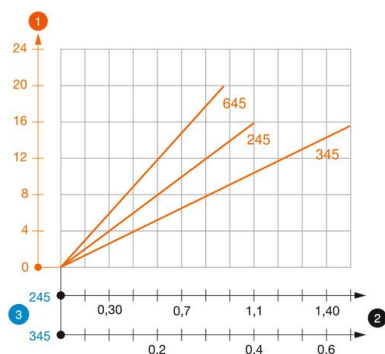


Length	445 mm
Width	60 mm
Height	120 mm
Dimension L	445 mm

Technical data

Version for	S profile
Maintain electrical functions	no

Loads



Load diagram, TP support, type TPS

- 1 Bending of the end of the suspended support at permitted bracket load
- 2 Permitted bracket load in kN without man load
- 3 Bracket length in mm
- Load curves with support lengths in mm

Characteristic anchor load values for TP support

Single-sided load	
	Max. load [kN]
	Bracket width [mm]
Anchor type	<TEXT><P>145</P></TEXT>, <TEXT><P>245</P></TEXT>, <TEXT><P>345</P></TEXT>
BZ3 8x75/0-20	<TEXT><P>1.48</P></TEXT>, <TEXT><P>0.93</P></TEXT>, <TEXT><P>0.68</P></TEXT>
BZ3 10x90/0-30	<TEXT><P>1.48</P></TEXT>, <TEXT><P>0.93</P></TEXT>, <TEXT><P>0.68</P></TEXT>

Max. total load F = cable weight + cable tray + bracket + suspended support. The tabular values for double-sided loads take the available axis spacing $a_i = 17$ cm into account. The load capacity values increase considerably when used in uncracked concrete. The specified values are based on concrete of resistance class C20/25. Comply with the installation conditions of the DIBt approval (anchors).