

# Technical data sheet

## TP support FS

Item number: 6364349



TP support for fastening to horizontal concrete ceilings.  
If the profile is fastened directly to the ceiling or the profile is screwed together as head reinforcement, then, for reasons of stability, always use the spacer, type DS 4.

Important: only use brackets of length 345 mm or less.



**St** Steel

**FS** Strip galvanized

### Master data

Item number	6364349
Type	TPS 545 FS
Description 1	TP suspended support
Manufacturer	OBO
Dimension	L545mm
Colour	zinc
Material	Steel
Surface	Strip galvanized
Surface standard	DIN EN 10346
Smallest sales unit	1
Unit of quantity	Piece
Weight	80 kg
Weight unit	kg/100 pc.
CO2 Footprint (GWP) Cradle-to-Gate	2,0443 kg CO2e / 1 Piece

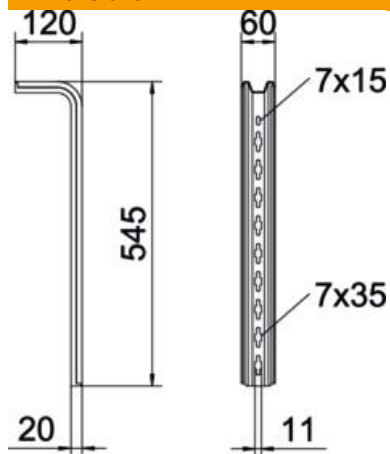
# Technical data sheet

## TP support FS

Item number: 6364349



### Dimensions



Length	545 mm
Width	60 mm
Height	120 mm
Dimension H	120 mm
Dimension L	545 mm

### Technical data

Version for	S profile
Maintain electrical functions	no

### Loads



#### Load diagram, TP support, type TPS

- 1** Bending of the end of the suspended support at permitted bracket load
  - 2** Permitted bracket load in kN without man load
  - 3** Bracket length in mm
- Load curves with support lengths in mm

### Characteristic anchor load values for TP support

Single-sided load	
	Max. load [kN]
Anchor type	Bracket width [mm]
BZ3 8x75/0-20	<TEXT><P>145</P></TEXT>, <TEXT><P>245</P></TEXT>, <TEXT><P>345</P></TEXT>
BZ3 10x90/0-30	<TEXT><P>1.48</P></TEXT>, <TEXT><P>0.93</P></TEXT>, <TEXT><P>0.68</P></TEXT>
	<TEXT><P>1.48</P></TEXT>, <TEXT><P>0.93</P></TEXT>, <TEXT><P>0.68</P></TEXT>

Max. total load  $F$  = cable weight + cable tray + bracket + suspended support. The tabular values for double-sided loads take the available axis spacing  $a_i = 17$  cm into account. The load capacity values increase considerably when used in uncracked concrete. The specified values are based on concrete of resistance class C20/25. Comply with the installation conditions of the DIBt approval (anchors).