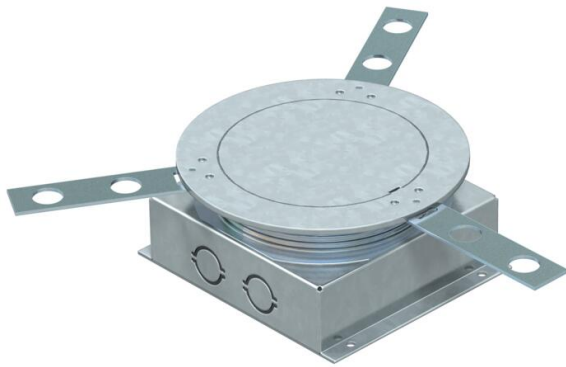


Technical data sheet

Underfloor outlet box, heavy-duty version, for GESRM2 mounting

Item number: 7408554



Underfloor outlet box for the installation of a service outlet GESRM2. Version for heavy-duty applications. With additional support ring and three screed anchors. Box body with 2 x 2 openings for pipe installation M20 or Pg16.

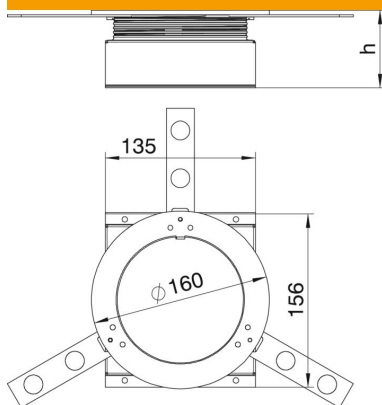


St	Steel
FS	Strip galvanized

Master data

Item number	7408554
Description 1	Underfloor outlet box
Manufacturer	OBO
Material	Steel
Surface	Strip galvanized
Surface standard	DIN EN 10346
Smallest sales unit	1
Unit of quantity	Piece
Weight	122.8 kg
Weight unit	kg/100 pc.

Dimensions



Dimension h	70 mm
-------------	-------

Technical data sheet

Underfloor outlet box, heavy-duty version, for GESRM2 mounting

Item number: 7408554



Technical data

Screed height, max.	90 mm
Screed height, min.	70 mm