

Technical data sheet

Device/connection socket - UG 60 255

Item number: 2004354



The ideal system for use in any kind of masonry. The products were developed according to the state of the art and are perfectly matched. They can fulfil any practical requirements, thus allowing perfect installations in record time. The system comprises a comprehensive range of accessories and can be used for any application.



PS Polystyrene

Master data

Item number	2004354
Description 1	Device/connection plug
Description 2	concealed, with square support
Manufacturer	OBO
Dimension	Ø60mm, H56mm
Colour	Black
Material	Polystyrene
Smallest sales unit	25
Unit of quantity	Piece
Weight	2.05 kg
Weight unit	kg/100 pc.

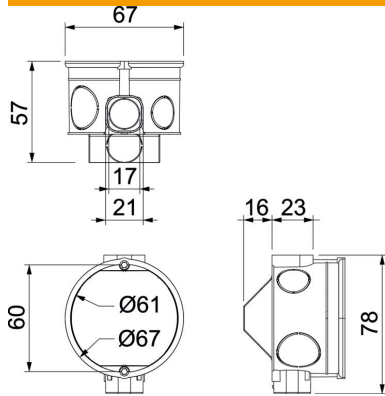
Technical data sheet

Device/connection socket - UG 60 255

Item number: 2004354



Dimensions



Height	56 mm
--------	-------

Technical data

No. of entries	8
Type of insertion...	Break-out openings for cables and pipes \varnothing 20 mm
Version for	Single
Type	Device connection socket/box
Device fixing	Screw or spread
Equipment	Without
Cover	Without
Entries	8
Flame-resistant	acc. to VDE 0471/DIN 695 Part 2-1, test temperature 650°C
Shape	Round
Floor height, min.	58 mm
Accessory screw clearance	60 mm
With nail strap	no
With bolts	no
Mounting type	Concealed
Nominal cross-section, max.	2.5 mm ²
Nominal cross-section, min.	1.5 mm ²
Sealable	no
Protection rating	IP20
Support	Square support
Rated voltage	400 V