

Technical data sheet

Device/connection socket - UG 60 255

Item number: 2004367



The ideal system for use in any kind of masonry. The products were developed according to the state of the art and are perfectly matched. They can fulfil any practical requirements, thus allowing perfect installations in record time. The system comprises a comprehensive range of accessories and can be used for any application.



PS Polystyrene

Master data

| | |
|------------------------------------|--------------------------------|
| Item number | 2004367 |
| Type | UG 60 255STS |
| Description 1 | Device/connection plug |
| Description 2 | concealed, with tunnel support |
| Manufacturer | OBO |
| Dimension | Ø60mm, H62mm |
| Colour | Black |
| Material | Polystyrene |
| Smallest sales unit | 25 |
| Unit of quantity | Piece |
| Weight | 1.89 kg |
| Weight unit | kg/100 pc. |
| CO2 Footprint (GWP) Cradle-to-Gate | 0,0622 kg COe / 1 Piece |

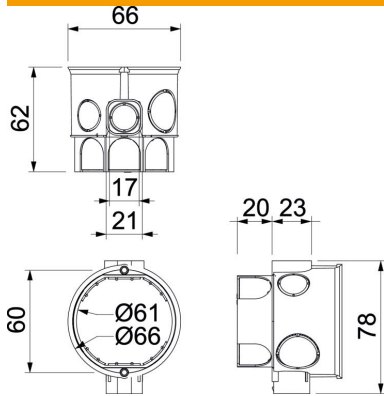
Technical data sheet

Device/connection socket - UG 60 255

Item number: 2004367



Dimensions



| | |
|--------|-------|
| Height | 60 mm |
|--------|-------|

Technical data

| | |
|---|---|
| No. of entries | 13 |
| Number of switch boxes | 1 |
| Type of entry | break-out openings for cables and pipes \varnothing 20 mm and \varnothing 25 mm |
| Type of housing penetration | Pre-marking |
| Version for | Single |
| Type | Device connection socket/box |
| Device fixing | Screw or spread |
| Equipment | Without |
| Cover | Without |
| Cover fastening | Not applicable |
| Entry from rear | no |
| Entries | 13 |
| Flame-resistant | acc. to VDE 0471/DIN 695 Part 2-1, test temperature 650°C |
| Shape | Round |
| Maintain electrical functions | Without |
| Floor height, min. for pipe diameter | 64 mm 20/25 mm |
| Accessory screw clearance | 60 mm |
| With screening | no |
| With nail strap | no |
| With bolts | no |
| Mounting type | Concealed |
| Nominal cross-section, max. | 2.5 mm ² |
| Nominal cross-section, min. | 1.5 mm ² |
| Sealable | no |
| Protection rating | IP20 |
| Support | Tunnel support |
| Airtight | no |
| Rated voltage | 400 V |