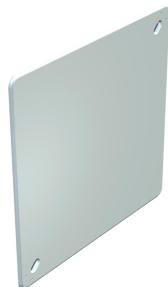


Technical data sheet

Box cover

Item number: 2003252



Box cover suitable for the connection sockets, type UV...K, cover edge is flush, surface is roughened, cover bolts can be lowered.



PS Polystyrene

Master data

Item number	2003252
Type	UV 200 D
Description 1	Box lid
Description 2	concealed
Manufacturer	OBO
Dimension	210x210x2
Colour	White
Material	Polystyrene
Smallest sales unit	5
Unit of quantity	Piece
Weight	9.5 kg
Weight unit	kg/100 pc.
CO2 Footprint (GWP) Cradle-to-Gate	0,3402 kg CO2e / 1 Piece

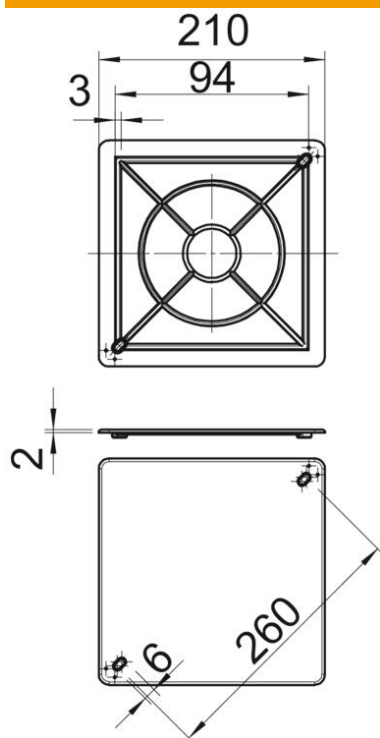
Technical data sheet

Box cover

Item number: 2003252



Dimensions



Length	210 mm
Width	210 mm
Height	2 mm
Dimension A	260 mm
Dimension B	210 mm
Dimension s	2 mm

Technical data

Fastening type	Screw-on lid
Flame-resistant	acc. to VDE 0471/DIN 695 Part 2-1, test temperature 650°C
Shape	Square
Halogen-free	yes
With bolts	no
Sealable	yes