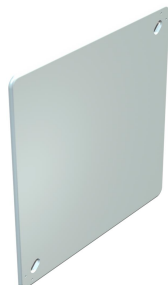


Technical data sheet

Box cover

Item number: 2003256



Box cover suitable for the connection sockets, type UV...K, cover edge is flush, surface is roughened, cover bolts can be lowered.



PS Polystyrene

Master data

| | |
|------------------------------------|-------------------------|
| Item number | 2003256 |
| Type | UV 250 D |
| Description 1 | Box lid |
| Description 2 | concealed |
| Manufacturer | OBO |
| Dimension | 260x260x2,5 |
| Colour | White |
| Material | Polystyrene |
| Smallest sales unit | 5 |
| Unit of quantity | Piece |
| Weight | 17.19 kg |
| Weight unit | kg/100 pc. |
| CO2 Footprint (GWP) Cradle-to-Gate | 0,553 kg CO2e / 1 Piece |

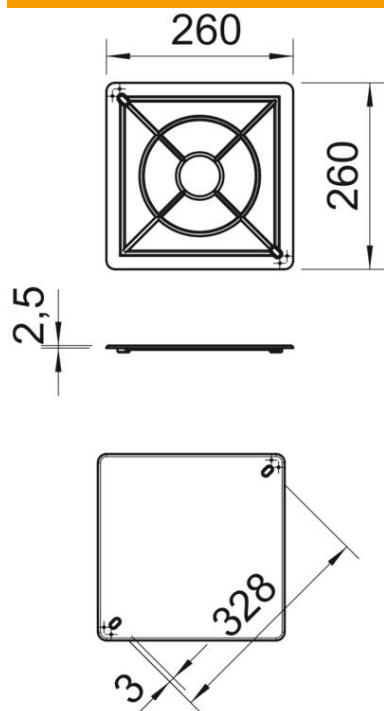
Technical data sheet

Box cover

Item number: 2003256



Dimensions



| | |
|-------------|--------|
| Length | 260 mm |
| Width | 260 mm |
| Height | 2.5 mm |
| Dimension A | 328 mm |
| Dimension B | 260 mm |
| Dimension s | 2.5 mm |

Technical data

| | |
|-----------------|---|
| Fastening type | Screw-on lid |
| Flame-resistant | acc. to VDE 0471/DIN 695 Part 2-1, test temperature 650°C |
| Shape | Square |
| Halogen-free | yes |
| With bolts | no |
| Sealable | yes |