

Technical data sheet

Cable gland, metric thread, set with locknut, light grey



Item number: 2022770



Cable gland with metric connection thread in cap nut design, suitable for junction boxes, housings, distributor cabinets in private and industrial areas. With strain relief and integrated sealing lip, tested according to DIN EN 62444. Protection class IP68. Can be used between -20°C and $+65^{\circ}\text{C}$. Including locknut.



PA Polyamide

Master data

Item number	2022770
Type	V-TEC VM32+ LGR
Description 1	Cable gland
Description 2	with locknut
Manufacturer	OBO
Dimension	M32
Colour	Light grey; RAL 7035
Material	Polyamide
Smallest sales unit	20
Unit of quantity	Piece
Weight	2.84 kg
Weight unit	kg/100 pc.
CO2 Footprint (GWP) Cradle-to-Gate	0,1283 kg CO2e / 1 Piece

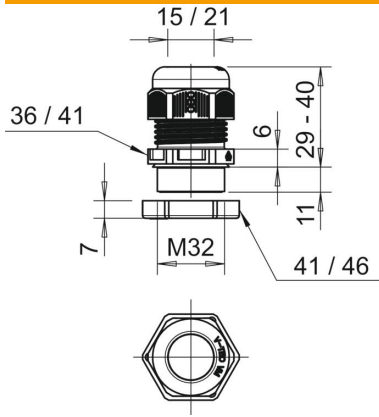
Technical data sheet

Cable gland, metric thread, set with locknut, light grey



Item number: 2022770

Dimensions



Dimension E1 (mm)	41 mm
Dimension E2	46 mm
Dimension L max.	40 mm
Dimension L min.	29 mm
Dimension L1	11 mm
Dimension L2	6 mm
Dimension L3	7 mm

Technical data

Type of seal	Sealing ring
Version for	Straight
Bend protection	no
Sealing area D, max.	21 mm
Sealing area D, min.	15 mm
explosion-proof	no
Flat cable gland	no
Flame-resistant	acc. to VDE 0471/DIN 695 Part 2-1, test temperature 650°C
For Ex zone	Without
For Ex zone gas	Without
For Ex zone dust	Without
Thread	M32 x 1,5
Thread type	Metric
Thread length	11 mm
Nominal thread size	32
Thread increase	1.5 mm
Fibre-glass reinforced	no
Halogen-free	yes
Unstable torque	7.5 Nm
Sealing insert, multiple	no
With locknut	no
Impact-resistant	no
WAF 1	36 mm
WAF 2	41 mm
Protection rating	IP68
Splittable gland	no
Permitted temperature range, max.	65 °C
Permitted temperature range, min.	-20 °C
Strain relief option	yes