

# Technical data sheet

## Combination arrester V25, 3-pole + NPE, with acoustic signalling

Item number: 5097432



Combination arrester consisting of lightning current and surge arrester type 1+2

- Complete unit consisting of cover and base, pre-mounted and ready for connection
- Suitable for TN-S and TT network systems
- With audible signalling for function monitoring, signal tone can be turned off for 24 h
- Plug-in arrester with dynamic cut-off unit
- With visual function display
- Voltage protection level < 0.9 kV
- Encapsulated, non-extinguishing zinc oxide varistor arrester for use in standard distributor housings
- Labelled connections

Application example: Buildings with open-wire power supply or for setting up lightning protection equipotential bonding in residential buildings.

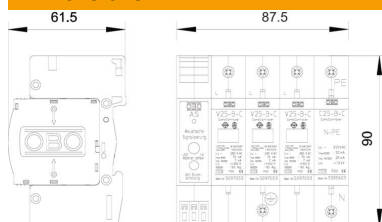
\* Complete = Plug-in arrester and base



### Master data

Item number	5097432
Type	V25-B+C 3+NPE+AS
Description 1	CombiController V25
Description 2	with acoustic signalling +NPE
Manufacturer	OBO
Dimension	280V
Smallest sales unit	1
Unit of quantity	Piece
Weight	70 kg
Weight unit	kg/100 pc.
CO2 Footprint (GWP) Cradle-to-Gate	2,2302 kg CO2e / 1 Piece

### Dimensions



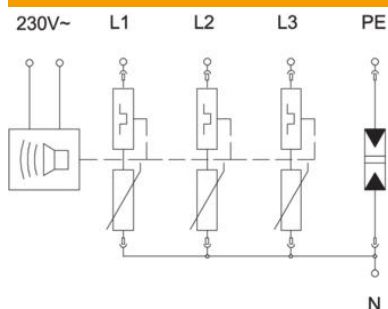
# Technical data sheet

## Combination arrester V25, 3-pole + NPE, with acoustic signalling

Item number: 5097432



### Technical data



Arrester surge current (8/20 $\mu$ s) [total]	120 kA
Response time	<25 ns
Blow-out	no
Version for	3+NPE with AS
Pole version	3+N/PE
Structural width in division units (division unit, 17.5 mm)	5
Operating temperature, max.	80 °C
Operating temperature, min.	-40 °C
Lightning surge current (10/350 $\mu$ s)	7 kA
Lightning surge current (10/350 $\mu$ s) [N/PE]	25 kA
Lightning surge current (10/350 $\mu$ s)	25 kA
Remote signalling	yes
Maximum continuous voltage AC	280 V
Conductor cross-section, rigid (single-wire/multiwire), max.	35 mm <sup>2</sup>
Conductor cross-section, rigid (single-wire/multiwire), min.	2.5 mm <sup>2</sup>
Lightning protection zone LPZ	0→2
Max. mains-side overcurrent protection	160
Maximum back-up fuse	160 A
Maximum discharge current (8/20 $\mu$ s)	50 kA
Nominal discharge current (8/20 $\mu$ s)	30 kA
Nominal discharge current (8/20 $\mu$ s) [N-PE]	30 kA
Nominal voltage AC (50/60 Hz)	230 V
Network form	Other
TN network form	yes
TN-C-S network form	yes
TN-S network form	yes
TT network form	yes
Pole number	3
Protection rating	IP20
Protection level	≤0,9 kV
Signalling on device	Optical and acoustic
SPD to EN 61643-11	Type 1+2
SPD to IEC 61643-1	Class I+II
Permitted temperature range, max.	80 °C
Permitted temperature range, min.	-40 °C