

# Technical data sheet

Generator connection box, type 1+2, with four fuse holders for 4 x 1 string  
Item number: 5088640



System solution for photovoltaic fuses (unequipped) for photovoltaic inverters with 1 MPP tracker

- Error-resistant Y circuit to VDE 0100-712 (50539-12)
- Low DC protection level: < 3.0 kV (Voc max = 900 V DC with V25-B+C/0-450PV)
- (+) poles protected via 4 photovoltaic fuses 10 x 38 mm (unequipped), 900 V DC protected
- 4 (-) poles via terminal up to 6 mm<sup>2</sup> switched in parallel in the housing, up to 30 A DC per terminal
- Pre-mounted in polycarbonate housing (IP65), UV-resistant for use outside, including cable gland kit

For DC protection of the inverter in photovoltaic systems.

If there is a danger of condensation forming through wind, ice, temperature or sunlight, further measures may be necessary!



## Master data

Item number	5088640
Type	VG-BC PV900KS4
Description 1	Combiner box
Description 2	PV with 4-string + fuse
Manufacturer	OBO
Dimension	900V DC
Colour	Light grey; RAL 7035
Smallest sales unit	1
Unit of quantity	Piece
Weight	205 kg
Weight unit	kg/100 pc.
CO2 Footprint (GWP) Cradle-to-Gate	2,6144 kg CO2e / 1 Piece

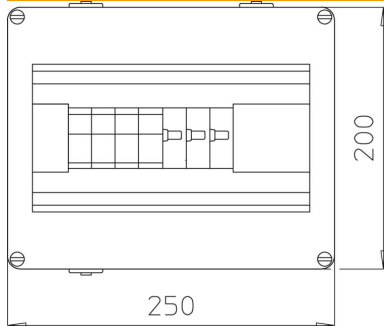
# Technical data sheet

Generator connection box, type 1+2, with four fuse holders  
for 4 x 1 string

Item number: 5088640



## Dimensions



## Technical data

Response time	<25 ns
Number of inputs	4
Type of entry	Gland
Version for	Type 1+2 in housing with fuse holder (unequipped)
Operating temperature, max.	80 °C
Operating temperature, min.	-40 °C
Lightning surge current (10/350 µs)	7 kA
Remote signalling	no
Maximum continuous voltage DC	900 V
Conductor cross-section, rigid (single-wire/multiwire), max.	6 mm <sup>2</sup>
Conductor cross-section, rigid (single-wire/multiwire), min.	0.5 mm <sup>2</sup>
Lightning protection zone LPZ	1→2
Maximum discharge current (8/20 µs)	50 kA
Installation type	Pre-mounted in the housing
Nominal discharge current (8/20 µs)	30 kA
Network form	DC
DC network form	yes
IT network form	no
Other network form	no
TN network form	no
TN-C network form	no
TN-C-S network form	no
TN-S network form	no
TT network form	no
Protection rating	IP65
Protection level	≤3,0 kV
Signalling on device	Visual
SPD to EN 61643-11	Type 1+2
SPD to IEC 61643-1	Class II
Permitted temperature range, max.	80 °C
Permitted temperature range, min.	-40 °C
Depth	122 mm

# Technical data sheet

Generator connection box, type 1+2, with four fuse holders for 4 x 1 string

Item number: 5088640



## Technical data

Number of cable entries	16
Max. Input voltage DC	900 V
String fuse	1-pole
Fuse type	gPV (full-range photovoltaic protection) [Bitte prüfen, ob so in Ordnung]
Monitoring function	no
Max. Input current per string	30 A
Max. Output current	30 A
Number of string inputs	4
Equipped with load-break switch	no
Anschlussart Generatoranschlussskasten	Tension spring terminal
Number of MPPTs	1
Entries per MPPT	4
Exits per MPPT	4