

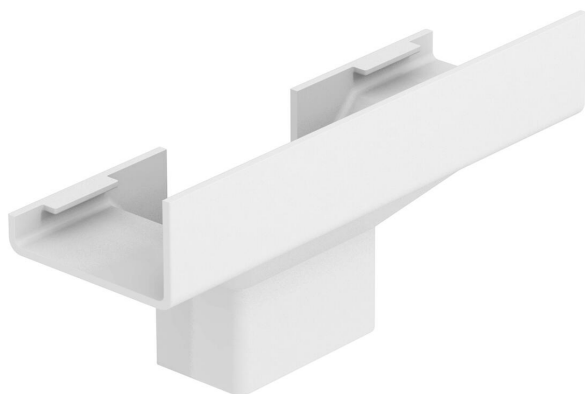
# Technical data sheet

## T piece cover, for trunking type WDK 13025

Item number: 6192450



T piece cover for changing the direction of the WDK trunking.



**PC/ABS** Polycarbonate/Acrylnitrile-butadiene-styrene

### Master data

Item number	6192450
Type	WDK HTCW13025RW
Description 1	T piece hood ceiling/wall
Description 2	with coupling for raised floor
Manufacturer	OBO
Dimension	15x80x40mm
Colour	Pure white; RAL 9010
Material	Polycarbonate/Acrylnitrile-butadiene-styrene
Smallest sales unit	10
Unit of quantity	Piece
Weight	1.035 kg
Weight unit	kg/100 pc.
CO2 Footprint (GWP) Cradle-to-Gate	0,0786 kg CO2e / 1 Piece

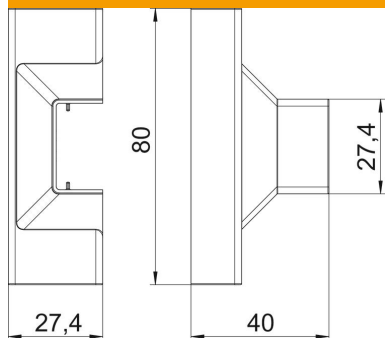
# Technical data sheet

T piece cover, for trunking type WDK 13025

Item number: 6192450



## Dimensions



Length	80 mm
Width	25 mm
Height	13 mm

## Technical data

Version for	Hood fitting
Fastening type	Lockable
Halogen-free	no
Protection rating	IP30
Protective film	no
Protection rating IK code	IK04
Permitted temperature range, max.	60 °C
Permitted temperature range, min.	-5 °C